

# SITMATIC®

Auditorium and Public Seating



**TUXEDO**



# SITMATIC®

Community

*Square back, fully upholstered backrest shell, integrated steel scuff plate, full height upholstered mid and end panels, soft polyurethane arm caps. Configured for an environment requiring formal appearance.*



**TUXEDO**



# SITMATIC®

Education

*Rounded back, laminate backrest shell, half height end panels, laptop writing tablet, cushioned polyurethane arm caps and custom embroidered logo. A functional solution for higher education environments.*



**TUXEDO**

# SITMATIC®

Performing Arts

*Custom rounded back, veneer inner and outer backrest shell, picture frame back treatment, perforated acoustic underseat shell, soft polyurethane arm caps and full height veneer end panels. Configured for performance venues.*



**TUXEDO**

# SITMATIC®

Multi Function

*Rounded back, laminate backrest shell, underseat shell, full height end panels, adjustable intensity aisle lighting and a solid wood arm caps with custom stain to match. Configured for high usage auditoriums.*



TUXEDO

# SITMATIC®

## The Ray Charles Performing Arts Center at Morehouse College

*Rounded back, veneer backrest shell, perforated acoustic underseat shell, full height veneer end panels, soft polyurethane arm caps and custom stain on wood components. Suited for performing arts environment.*



**TUXEDO**



# SITMATIC®

The Ray Charles Performing Arts Center at Morehouse College



**TUXEDO**

# SITMATIC®

## University Arena "The Pit" at the University of New Mexico

*Rounded back, veneer backrest shell, veneer full height end panels, solid underseat shell, integrated beverage holder, solid wood arm caps and custom etched logo. Typical specifications for luxury box and sports arena applications.*

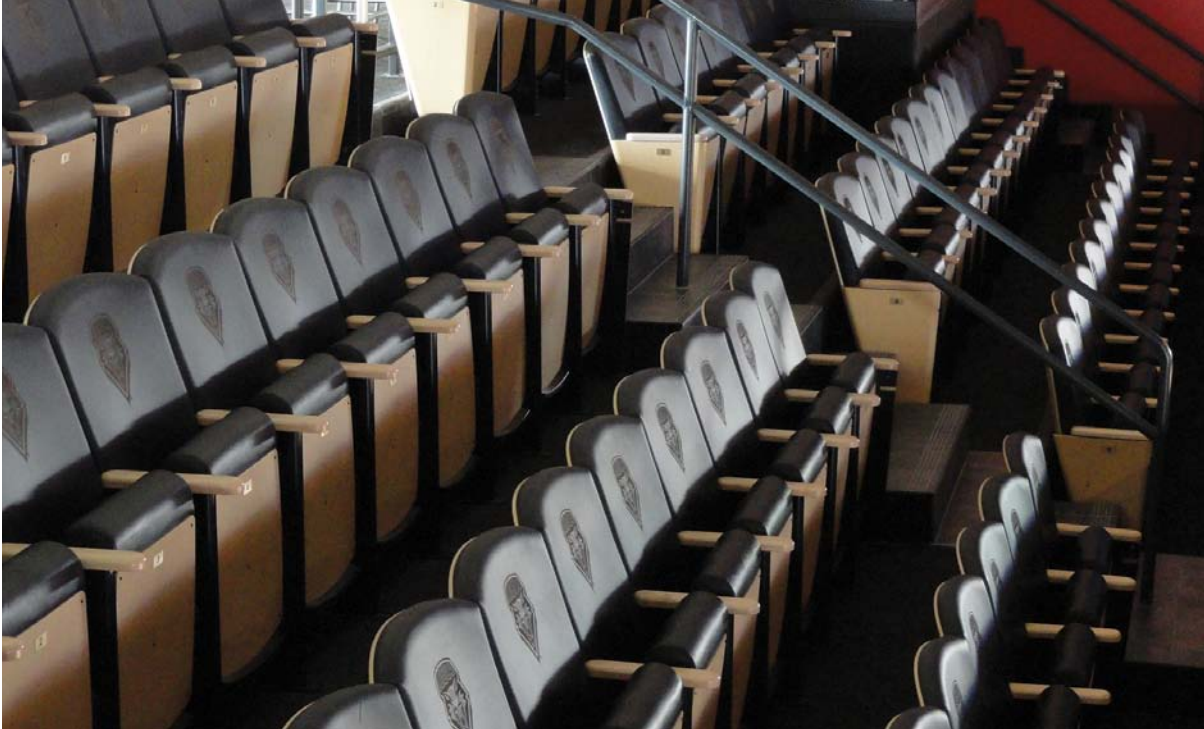


**TUXEDO**



# SITMATIC®

University Arena "The Pit" at the University of New Mexico



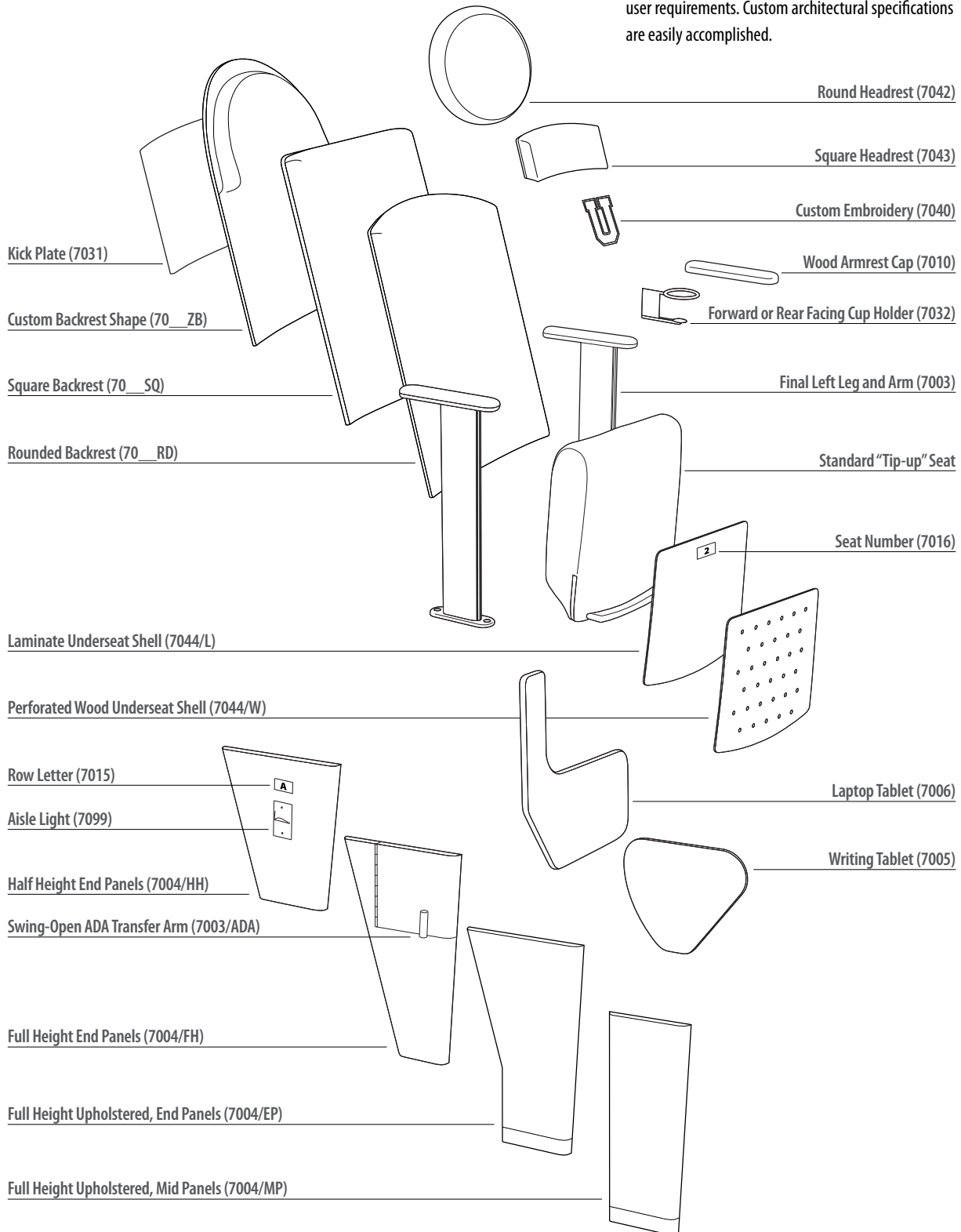
TUXEDO



Engineered for Comfort and Aesthetics

Tuxedo Seating, with its many shapes, sizes and functional options, may be specified to meet precise user requirements. Custom architectural specifications are easily accomplished.

**TUXEDO**



### Unique Tuxedo Features



**Environmentally Sensitive**  
Manufactured in Fullerton, California, with 100% post-consumer recycled aluminum and sustainable birch structures. Fabric is not glued to the foam so it can be independently removed and completely recycled.



**Maintenance-free**  
Seat "tip-up" is counter-weighted using fail-proof gravity. Springless design means silence as attendees enter and exit and no maintenance issues ever.



**PressureCast™ Foam**  
Ergonomic contouring of the seat and backrest shape, in high-resiliency PressureCast™ foam. These are the most supportive and comfortable seat cushions possible.

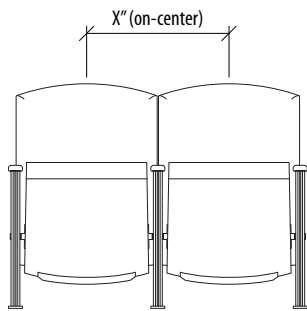


**Green Check Certified**  
Tuxedo chairs are independently tested to exceed Green Building Council's LEED-CI Indoor Environmental Quality Standards. IEQ 4.5 and may comply with MRS 5.0.

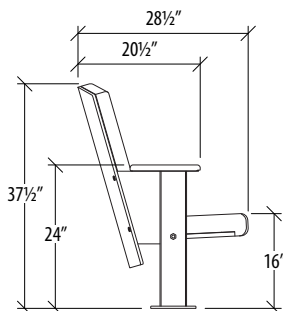
**TUXEDO**

### Overall Chair Dimensions

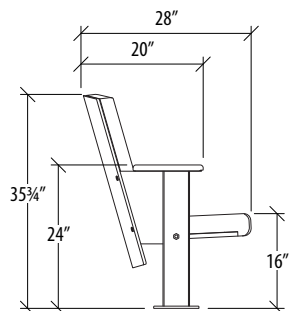
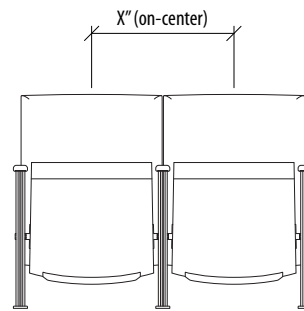
Available in 19", 20", 21", 22", 23", 24" and 33" wide, on-center.



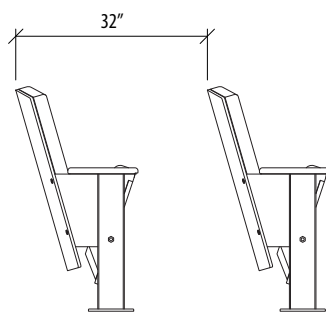
**Rounded Back**



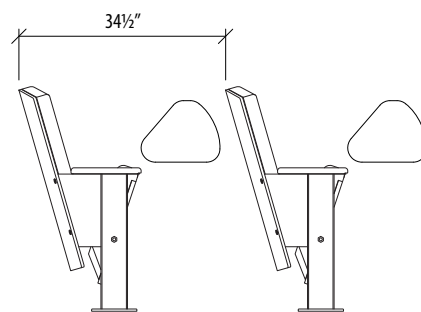
**Square Back**



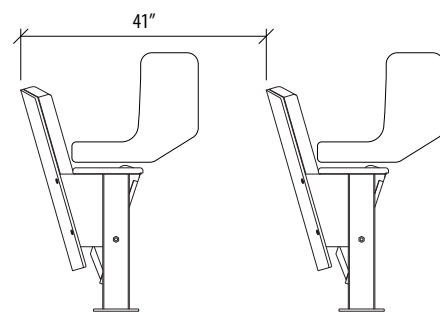
### Minimum Row Clearance



**Chairs only**  
Minimum row clearance for rows with chairs only.



**Chairs with writing tablets**  
Minimum row clearance for rows with chairs and writing tablets.



**Chairs with laptop tablets**  
Minimum row clearance for rows with chairs and laptop tablets.

## Exceptional Range of Seating Solutions



**Management, Executive and Conference Seating**



**Highly Ergonomic Seating**



**Occasional and Stacking Chairs**



**Auditorium and Public Area**

For further information on our comprehensive range of seating please visit our website or call our toll free number. Specifications are subject to change without notice.

### Sitmatic

1800 Raymer Avenue  
Fullerton, California 92833

Tel: 800.288.1492  
714.888.2500

Fax: 714.888.2505

E-Mail: [Info@Sitmatic.com](mailto:Info@Sitmatic.com)

Website: [www.sitmatic.com](http://www.sitmatic.com)



Sitmatic seating is covered by our comprehensive lifetime structural warranty. Specifications are subject to change without notice.



Sitmatic seating has passed the stringent testing procedures established by; ANSI/BIFMA and CAL 117.



Sitmatic literature is printed on certified recycled paper and paper from well-managed forests and controlled sources.



**Green Check Certified**

Our products are certified compliant for LEED-CI indoor environmental air quality. Choosing Sitmatic chairs for your work place contributes to a cleaner, safer, more sustainable environment.