

SITMATIC®

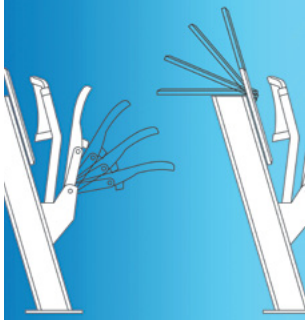
Educational Solutions



SQUEEZE

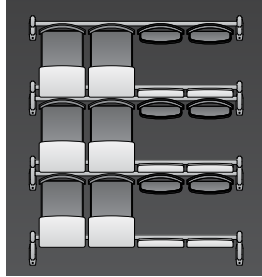


Unique Squeeze Features



Seats And Work Tops

Self-activated flip-up seats combined with anti-panic retractable tops are engineered for a lifetime of trouble-free operation and a uniform appearance when not in use.



High-Density Solution

40% greater density than desks and chairs, 25% greater than swing-out type seating. The end result is increased density in a smaller footprint with full code compliance.



Long-Term Comfort And Durability

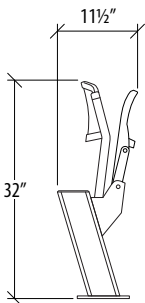
Mesh seats and backrests offer comfort, support, breathability and easy cleaning without sacrificing long-term durability.



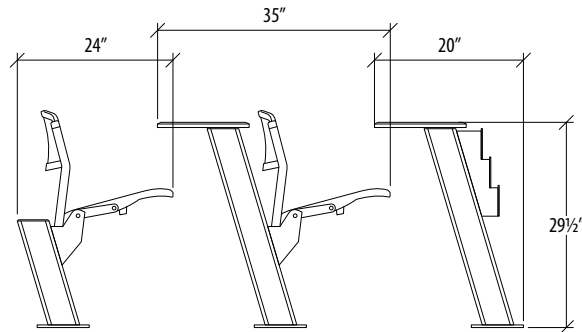
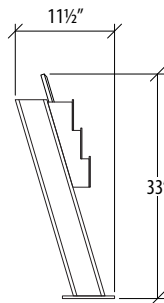
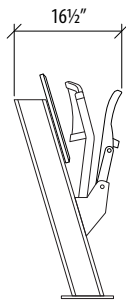
Green Check Certified

An outstanding 45% post-consumer recycled content. Squeeze is independently tested to exceed Green Building Council's LEED-CI Indoor Environmental Quality Standards and may comply with MRS 5.0.

Overall Dimensions



Up Position



Down Position

For further information on our comprehensive range of seating please visit our website or call our toll free number.

Sitmatic

1800 Raymer Avenue
Fullerton, California 92833

Tel: 800.288.1492

714.888.2500

Fax: 714.888.2505

E-Mail: Info@Sitmatic.com

Website: www.sitmatic.com



Sitmatic seating is covered by our comprehensive lifetime structural warranty. Specifications are subject to change without notice.



Sitmatic seating has passed the stringent testing procedures established by; ANSI/BIFMA and CAL 117.



Sitmatic literature is printed on certified recycled paper and paper from well-managed forests and controlled sources.



Green Check Certified

Our products are certified compliant for LEED-CI indoor environmental air quality. Choosing Sitmatic chairs for your work place contributes to a cleaner, safer, more sustainable environment.