

# SITMATIC®

Educational Solutions

ATHENA



## Unique Athena Features



### Seats And Work Tops

Self-activated, spring-free, flip-up seats combined with anti-panic retractable tops are engineered for a lifetime of trouble-free operation and a uniform appearance when not in use.



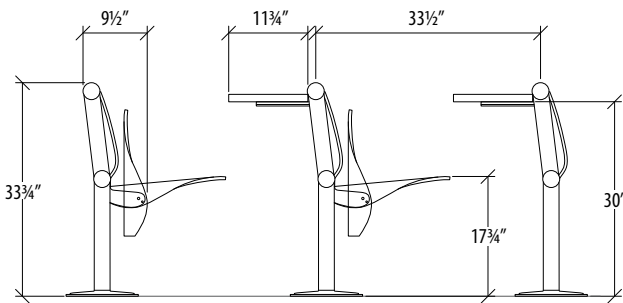
### High-Density Solution

40% greater density than desks and chairs, 25% greater than swing-out type seating. The end result is increased density in a smaller footprint with full code compliance. Free-standing option available.

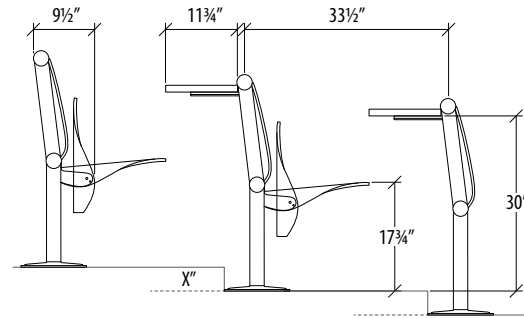


ATHENA

## Overall Dimensions



**Flat Floor**



**Tiered Floor**

For further information on our comprehensive range of seating please visit our website or call our toll free number.



### Sitmatic

1800 Raymer Avenue  
Fullerton, California 92833

Tel: 800.288.1492

714.888.2500

Fax: 714.888.2505

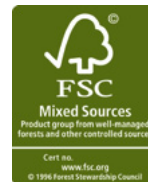
E-Mail: [Info@Sitmatic.com](mailto:Info@Sitmatic.com)

Website: [www.sitmatic.com](http://www.sitmatic.com)

Sitmatic seating is covered by our comprehensive lifetime structural warranty. Specifications are subject to change without notice.



Sitmatic seating has passed the stringent testing procedures established by; ANSI/ BIFMA and CAL 117.



Sitmatic literature is printed on certified recycled paper and paper from well-managed forests and controlled sources.



**Green Check Certified**

Our products are certified compliant for LEED-CI indoor environmental air quality. Choosing Sitmatic chairs for your work place contributes to a cleaner, safer, more sustainable environment.